

Replacement Spa Covers

Premium Marine Grade Vinyl

Made tough to withstand the harsh wet outdoors. Cold-crack resistant; UV inhibitors; anti-microbial treated; mildew inhibitors.

High Density Tapered Foam Core

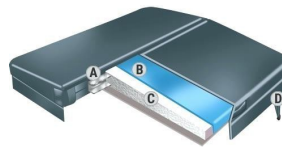
Facilitates water run-off and protects from rain damage. We make our cover with a high R-value for greater insulation.

Durable Hinges

Double stitched for extra strength where it counts. Reinforced with four thick layers of vinyl. Engineered with cover lifters in mind.

Steel Spine

Our foam cores are strengthened across the width with 16 gauge aluminum C-channels to prevent sagging or caving under heavy loads of snow.



- A = 16-GAUGE ALUMINUM C-CHANNEL
- B = 6-MIL POLY WRAP
- C = TAPERED FOAM (1# & 2# foam)
- D = LOCK DOWN STRAPS

Spa Cover Color Options:



2 Panel Bi-Fold Construction | 4 Locking Straps

| Foam Density | Taper | Cover Size: Up to 96" Skirt: 4" | Cover Size: Up to 96" Skirt: 4+" |
|--------------|----------|------------------------------------|-------------------------------------|
| 1 lb | 4" to 2" | \$699.99 | \$899.99 |
| | 5" to 3" | \$799.99 | \$999.99 |
| 2 lb | 4" to 2" | \$814.99 | \$1,014.99 |
| | 5" to 3" | \$914.99 | \$1,114.99 |

*Cover size is based on largest spa dimension. A spa cover 108" X 91" would be in the 96+" price. See sales associate for prices on spa cover sizes 96+."

All prices are subject to change without notice and are not guaranteed.



Rayner Covering Systems, Inc.

Rayner Covering Systems, Inc.

665 Schneider Drive
South Elgin, IL 60177
1-800-648-0757

847-695-2264 (p) 847-695-2363 (f)
info@raynercovering.com

Designer Series
Spa Covers

Dealer: _____ Date: _____
Address: _____
City/ST/Zip: _____
Phone/Fax: _____
Job Name/Customer: _____
Order Request: _____
Quote Request: _____

1 lb. density 2 lb. density 3 lb. density

- 1) 1-Walnut, 2-Nugget, 3-Oyster, 4-Teak,
5-Lt. Grey, 6-Charcoal, 7-Mahogany,
8-Old Navy, 9-Port, 10-Forest Green, 11-Black

Color Choice: _____

- 2) Cover Dimensions: _____ in. H x _____ in. W

My cover is measured for a: (not water dimensions)

Movable/Cabinet Raised/Built-in In-Ground/Flush Fit
-A wide coping(edge) and in-ground spa we RECOMMEND scuff pads (\$128.47/panel)

- 3) Cover design: (# of panels) foam is 48" wide

Bi-Fold Tri-Fold Quad-Fold Other: _____
-1# foam only available as in Bi-Fold sizes.

- 4) Skirt Length: _____ inches (in-ground usually has no skirt)
-Skirts over 4" will have adtl \$ (whole inches only).

- 5) Lockdown Straps will be placed in the approximate location of
the X on the diagram. If you want the straps located other than
where pictured, please give EXACT measurements (from corner,
hinge, etc).

- 6) Hinge/Folds will be placed in the direction as pictured
on the diagram at right.

- 7) Using the approximate spa shape at right, fill in the dimensions
of the COVER SIZE (not water area) in inches.

- 8) Corners: _____ inches _____ inches
Square R=Radius/Curved Cut/Angled

- 9) NOTES: _____

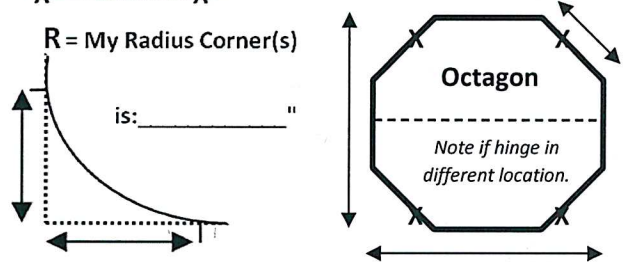
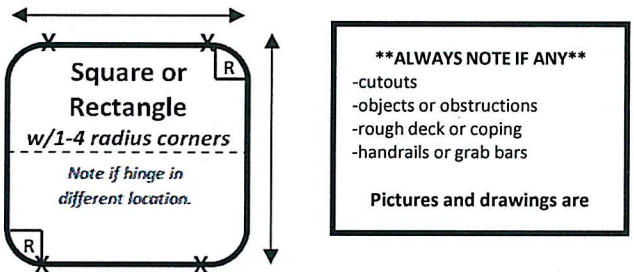
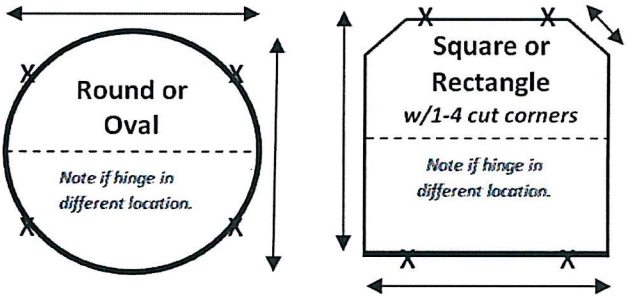
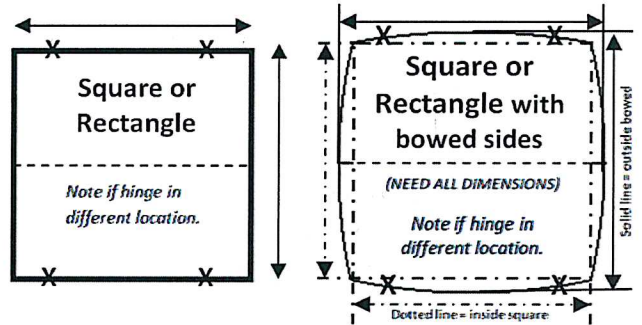
* We do not have accessories or hardware for spa lifts.

"Toaster Covers" are also available for raised or movable spas.
They are made out of the pool cover materials (non-insulating) and
fit over the spa like a grill cover. -see dealer for more information

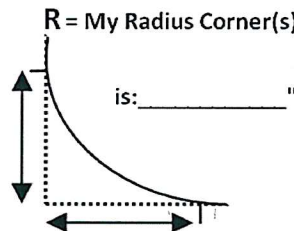
Customer:
My signature below indicates that I have read and verified
the information stated above to be correct.

Signature: _____
Customer's Signature Date

Rayner Covering Systems, Inc., 665 Schneider Dr., South Elgin, IL 60177



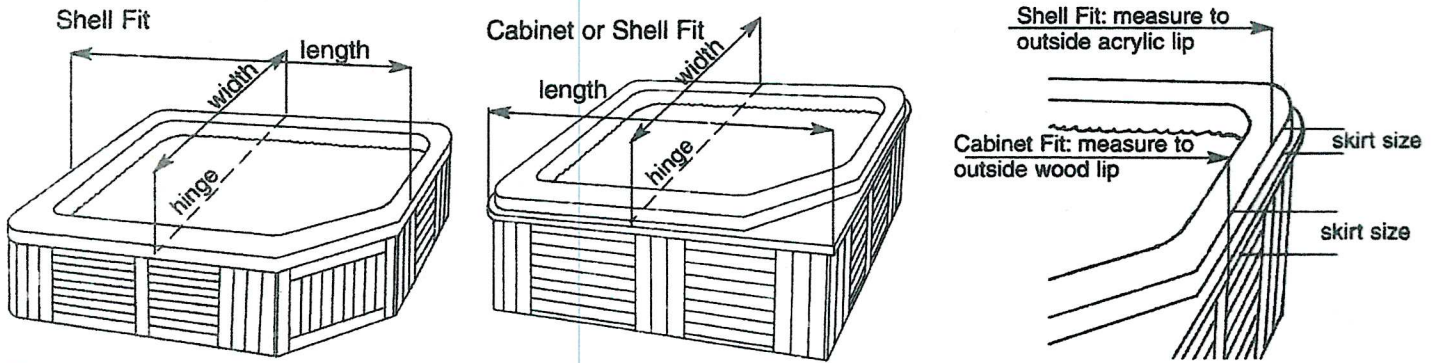
ALWAYS NOTE IF ANY
-cutouts
-objects or obstructions
-rough deck or coping
-handrails or grab bars
Pictures and drawings are



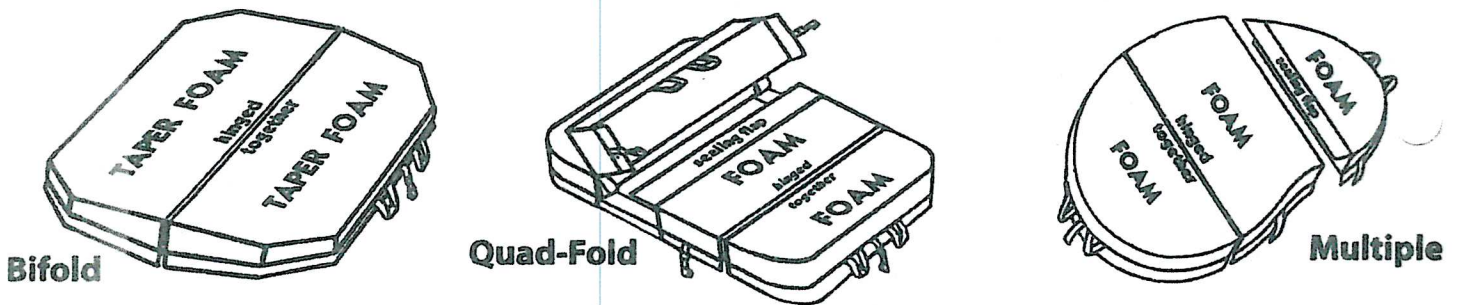
Rayner can make almost ANY shape of spa cover.
Including (but not limited to) any of the above shapes
with 1 or more curved or angled corners, Half Circles,
Triangles, Kidney, Freeform, Hexagon, Pentagon,
Ellipse, Curvilinear Triangle, ETC... Just ask. More
information about your spa is always better than not
enough information.

INSTRUCTIONS: Please mark and fax front side only.

- 2 If you know spa brand / model and year please fill in this information. If your spa has lip mounted air controls, buttons, or a handrail, etc., which will interfere with the spa cover fit please send a cutout template.
- 3 **Fit:** For a shell fit spa cover, measure from outside acrylic lip to outside acrylic lip. Shell fit is how the majority of spa covers are ordered (see illustration area). If you prefer a cabinet fit spa cover, measure from outside wood lip to outside wood lip (see illustration). Always give dimensions in inches (ex: 69" x 89 1/2").



- 4 **Cover Design and Taper:** Bifold spa covers are tapered 4" to 2.5" for water run off. Bifold is how the majority of all spa covers are ordered. This design is available up to 96" x 96" in any shape. Quad-fold spa covers are a flat 4" thick for center panels with a 2.5" taper for outer panels and available up to 99" x 99" in any shape. Custom covers are available in multiple panels and larger sizes.

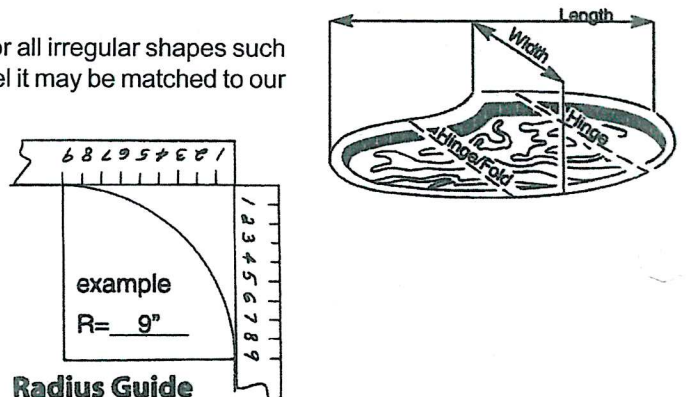


- 5 **Skirt / Flap:** Order the skirt in even inches only (see illustration above).
- 6 **Lock Down Straps:** Spa covers are required to have four (4) lock down straps without exception. Two straps will be equally spaced on each handle end. You may move or add straps on the shape drawing with an "X" for location and measurement from the corner or the hinge (over four lock downs will add cost).
- 7 **Hinge Fold:** Most bifold spa cover hinge length will be the shortest direction for strength. If your spa cover is installed with a spa cover lift or if you wish to add a lift, the direction your cover folds will be important. Fill in your shape measurements with the fold in mind. If you want a different fold please indicate with a dotted line "-----".

- 8 **Template Drawing:** A drawing or template may be required for all irregular shapes such as oval, kidney, free form, etc. If you know the brand and model it may be matched to our template file.

- 9 **Radius Corners:** Use a square, ruler or tape measure to square the radius corner. The measurement from the beginning of the curve to the corner is the radius.

- 10 Please add any additional comments about your spa and cover in "Comments".



SPA MATERIAL



Rayner Covering Systems, Inc.

Cover Material Sample Booklet



WALNUT

NUGGET

OYSTER

TEAK

LIGHT GREY

CHARCOAL

MAHOGANY

OLD NAVY

PORT

FOREST GREEN

BLACK